



eBOX-3625

V1.1

Fanless Industrial Computer



Intel® Core™ 6/7/8th generation i3/i5/i7/, Pentium, Celeron LGA1151 socket type CPU

High Performance processor

Ultra long distance transmission , up to 100 meters

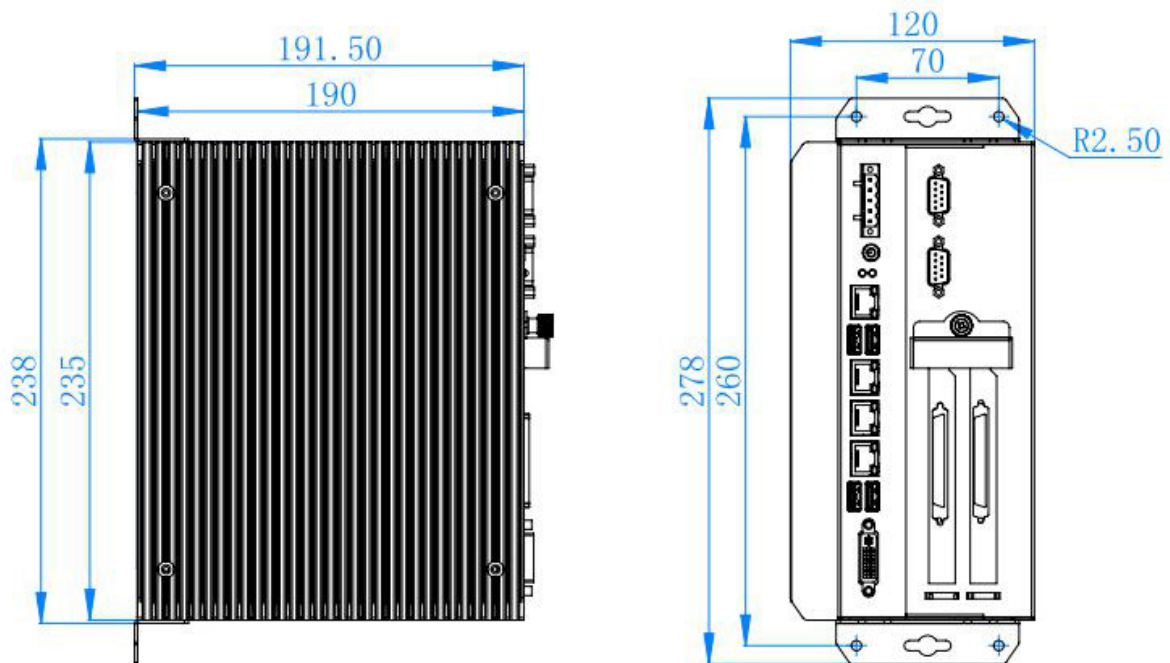
Wall-mounted and fanless design



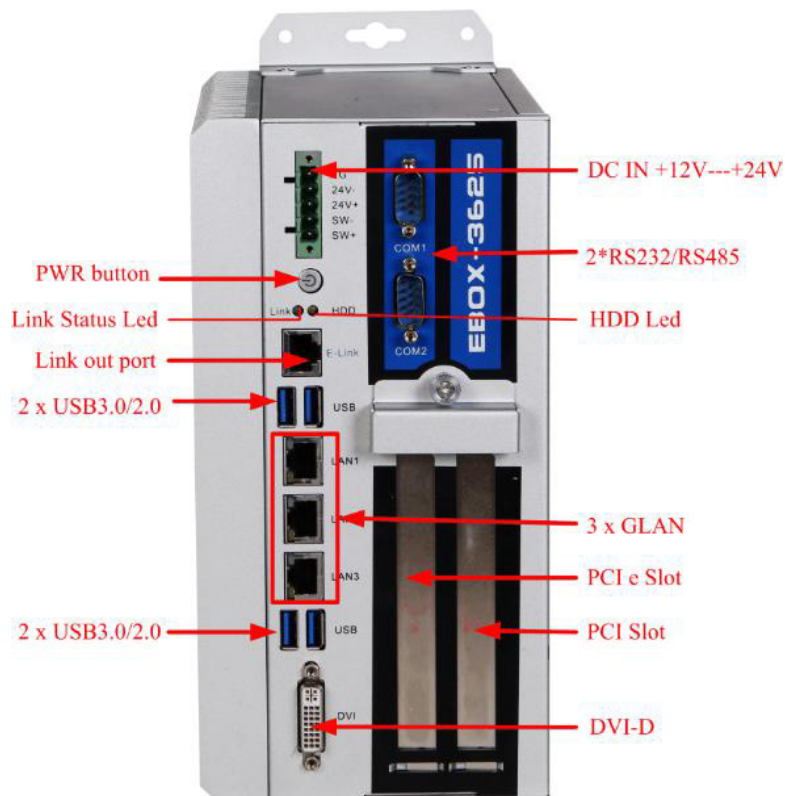
规格参数：

Processor	CPU	Intel® Core™ 6th / 7th generation i7 / i5 / i3 / Pentium / Celeron, LGA1151	
	Chipset	Intel H110 Express Chipset	
	BIOS	AMI EFI 128Mbit	
Memory	Architecture	DDR4-2400MHz	
	Capacity	Up to 32GB	
	DIMM	2 x 260-pin SODIMM	
E-LINK port	eLINK Port	Integrated display signal, USB signal, serial port signal output port	
Display	DVI	Support 1920 x 1200	
	I/O Port		
I/O Port	LAN1	Gbe LAN controller	
	LAN2	Gbe LAN controller	
	LAN3	Gbe LAN controller	
	COM	2x RS-232/485 selectable	
	USB	4 x USB3.0/2.0/1.1,	
	WatchDog	0~255 seconds programmable	
	MiniPCIe	1 * full size PCIe with SIM holder	
	PCIe & PCI	1 x PCIe x16 slot + 1 x PCI slot	
Storage	SSD	1 * MSATA	
OS	Windows	Windows 7, Windows 7 Embedded, Windows 10 , Ubuntu	
	Power	Input voltage	12-24VDC ±10%
		Minimum Input	12V/10A, 120W
Idle mode		27Watt	
Mechanism	Box structure	Aluminum alloy BOX	
	Mounting	Support Desktop and Wall-mounted mounting	
	Dimensions (L*W*H)	238mm * 191.5mm * 120mm	
	Net weight	3.5KG	
Environmental	Operating Temp.	-20 ~ 60°C (Wide temperature SSD), 0 ~ 45°C (General temperature HDD/SSD)	
	Storage Temp.	-40 ~ 80°C	
	Relative Humidity	5~95%@40°C (Non-condensing)	
	Vibration	Operating Random Vibration Test 5~500Hz, 1.5Grms@with SSD, follow IEC 60068-2-64	
	Shock	Operating 10G peak acceleration (11ms duration), follow IEC 60068-2-27	
	EMC	CE/FCC Class B	

Dimensions : 238mm * 191.5mm * 120mm



IO :



NOTICE : 1 , SW+/SW- signal is Remote switching machine port , FG is PGND

Ordering Information :

Model NO.	Product Discription
eBOX-3625	No CPU/No memory/No hard disk/2*RS232-485/3*Gigabit Ethernet port/4*USB3.0-2.0/DVI/ PCIe x16/PCI Slot/DC12~24V input

Option Items:

Option Items.	Specification
CPU	Support 6 th /7 th /8 th generation Intel® Core™ i7/i5/i3 LGA socket type processors Intel® Core™ i3-6100, Dual Core, 3.7GHz, 3MB Cache; Intel® Core™ i3-7100, Dual Core 3.9GHz, 3MB Cache Intel® Core™ i3-8100, Quad Core, 3.6GHz, 6MB Cache; Intel® Core™ i5-6400, Quad Core 2.7GHz, 6MB Cache Intel® Core™ i5-6500, Quad Core, 3.2GHz, 6MB Cache Intel® Core™ i5-6500T, Quad Core, 2.5GHz, 6MB Cache Intel® Core™ i5-8400, Six Cores, 2.8GHz, 9MB Cache Intel® Core™ i7-6700T, Quad Core, 2.8GHz, 8MB Cache Intel® Core™ i7-8700, Six Cores, 3.2GHz, 12MB Cache Please contact sales to check other request.
memory	DDR4 4G/8G/16G/32G
storage	full-scale Msata
adapter	120Watt Adapter (Input: 100-240V~50-60Hz 2.0 MAX, Output: +12V—10A)
Power Cord	Option EU,US,UK...
Wifi module	7260 series wifi module (mini PCIe)
4G module	Quectel EC20,EC25,EG25..

Application solution :

