



ELINK -200

V1.0



Video Remote Transmitter box

High performance decoding chip

Ultra long distance transmission , up to 100 meters

1920*1080 HD display

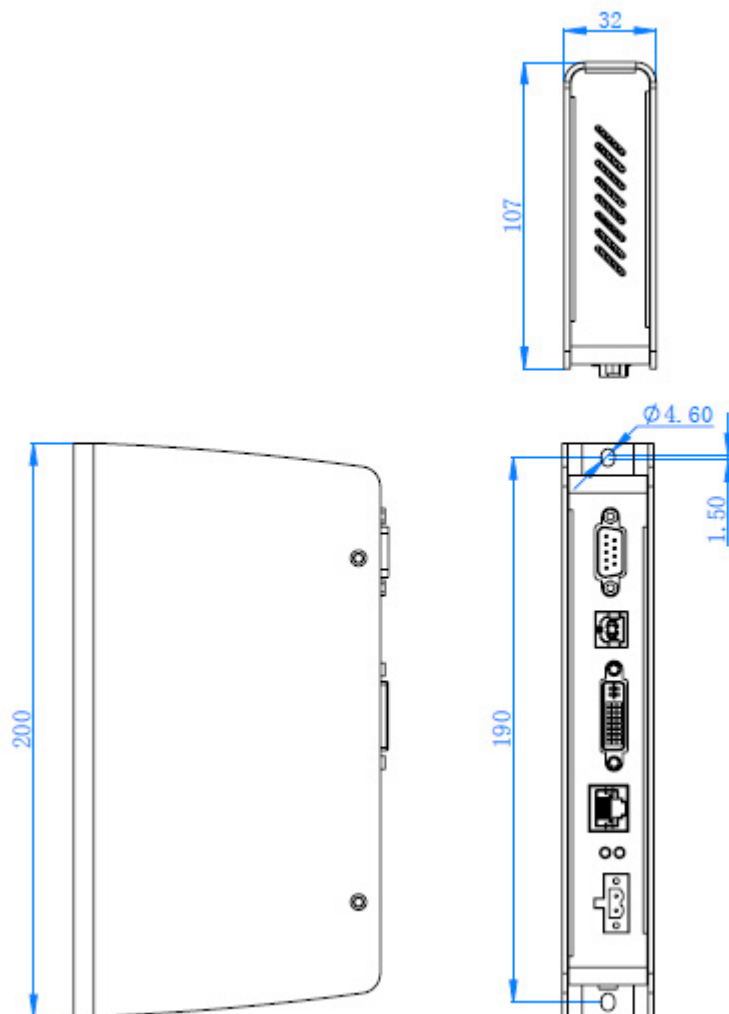


• Specifications :

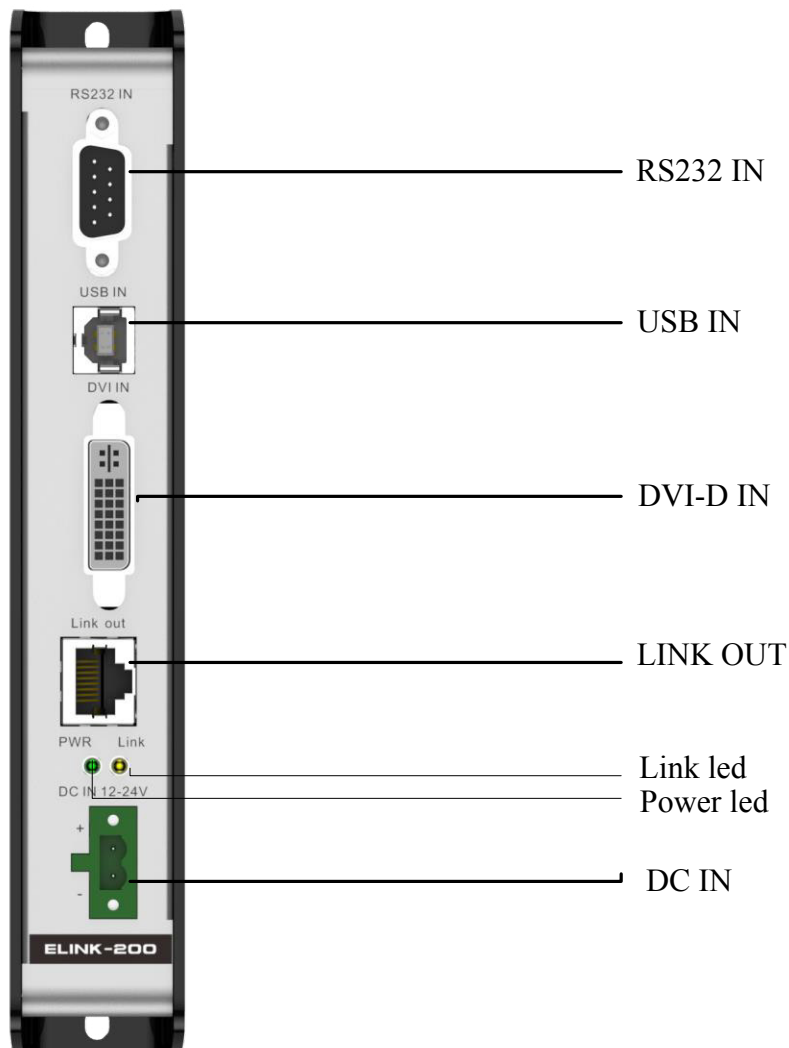


		ELINK -200
Input	Display input	DVI-D
	USB input	USB2.0
	RS232 input	RS232
Output	RJ45 connect	Integrate display, touch output
	Distance	Maximum 100 Meters : CAT6 type
Display	Resolution	1920*1080
Power	Input voltage	DC 12 - 24V support reverse polarity protection, overvoltage protection, overcurrent protection
	Max. consumption	maximum power consumption 40 W
Structure parameter	Shell material	High strength sheet metal chassis
	Mounting	Desktop , Wall-mounted
	Size (L*W*H)	200mm x 107 mm x 32 mm
	weight	
Environmental	Work Temp.	-10 ~ 60 °C (14~140 °F)
	Storage Temp.	-- 20 ~ 80 °C (-4 ~ 176 °F)
	Relative Humidity	5~95% (Non -condensation)
	Shake	IEC 60068 -2-64, random, 5 ~ 500 Hz, 1 hr/axis
	Shock	IEC 60068 -2-64, Half -sine wave, 11ms duration
	EMC	CE/FCC Class A

- Dimension : 200mm * 107 mm *32mm



- Interface Definition :



NOTICE:

a, Network cable using CA T6e specification above network cable, and need to have a shielding layer .

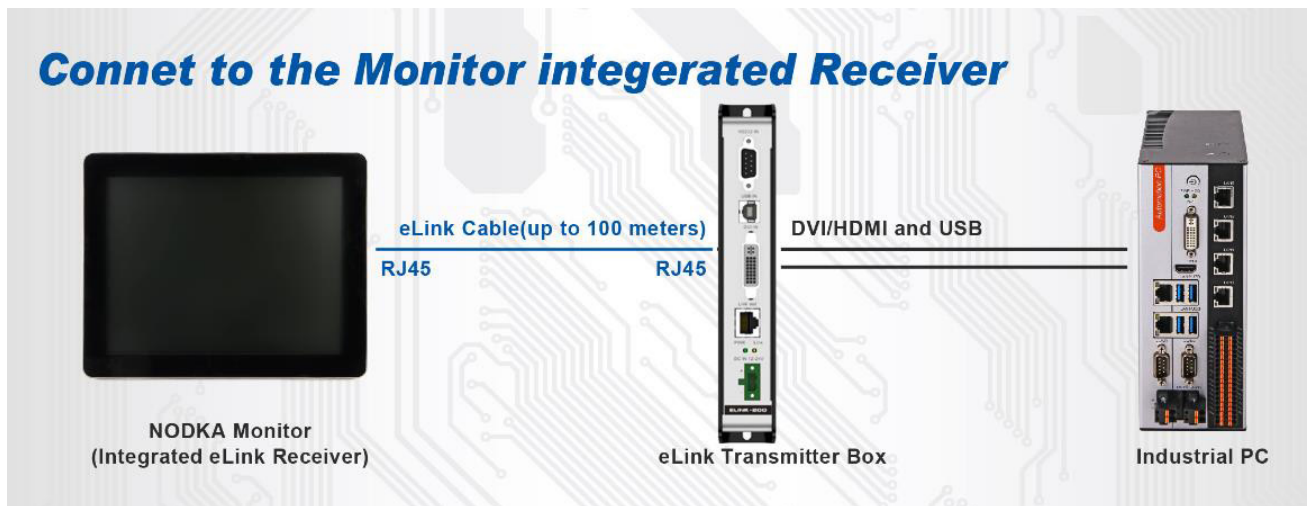
b, power LED --- power light

c, link LED ---- Remote transmission magic box and display end link status light

• Ordering Information :

Name	Specification
ELINK -200	BOX /0.5m USB cable / 0.5m DVI business to business cable

• application



1. DVI-D, USB, RS232 remote transmission solutions
2. HD display, the highest resolution 1920*1080
3. The remote transmission box receives DVI/USB/RS232 signals, and outputs signals to the display end through the RJ45 interface (the remote transmission box is a combined scheme, not compatible with the ordinary display)
4. Network cable using CAT6 specification above network cable, and need to have a shielding layer。