

# NP -6122 -JH3

- Desktop High Performance CPU
- USB, CAN Bus and DIO

## ■ Features

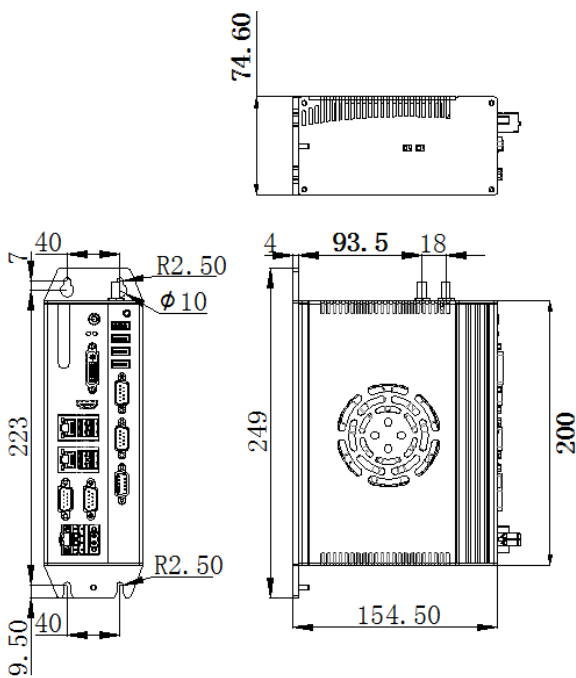
- Support Intel® Core™ 6th/7th/8th generation i7/i5/i3/Pentium/Celeron high performance processors, Max. TDP 65W
- 2 x Intel GbE LAN controller
- 4 x USB3.0, USB2.0 Type A on board for dongle
- 4 x USB2.0(Extended by PCIE x1)
- 2 x CAN2.0(Optional)
- 8 x isolated DI, 8 x isolated DO
- 2 x RS232/RS485, RS485 support auto flow control
- Support both DVI-D and HDMI display port
- 1 x miniPCIE expansion slot Support Wifi,3G/4G modules
- DC12~24V Power supply with overcurrent, overvoltage and polarity inverse protection
- Support wall-mounted or DIN -Rail fixingstyle
- Wide operating temperature -20 ~ 60°C supported



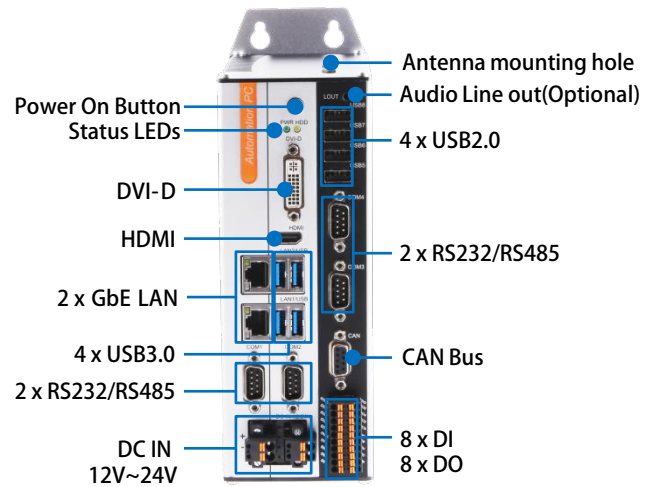
## ■ Specifications

Model Name		NP -6122 -JH3	
System	CPU	Intel® Core™ 6th/7th/8th gen i7/i5/i3/Pentium/Celeron LGA1151 type CPU	
	TDP	Max. 65W	
	BIOS	AMI UEFI 64Mbit	
	Memory	2 x SO -DIMM DDR4 , max up to 32GB	
	Storage		1 x mSATA bay
			1 x M.2(B Key, Type 2280) bay support SATA
	USB		4 x USB3.0, 1 x USB2.0 Type A on the board for USB dongle
			4 x USB2.0 extended by PCIE x1.
	COM	4 x COM(DB -9), selectable to support RS232 or RS485 mode by the switch, RS485 support auto flow control, (ESD protection for RS232: Air gap ±8KV, Contact ±6KV)	
	CAN Bus	2 x CAN Bus 2.0A/B, 1 x DB9(Female)	
	DI	8 x DI NPN/PNP , isolated 2500 Vrms	
	DO	8 x DO, Transistor output, I <sub>max</sub> :0.5A per channel, isolated 2500 Vrms	
	Ethernet	2 x Intel GbE LAN controller	
	DVI-D	Support up to 1920 x 1080 @60Hz	
	HDMI	Support up to 3840 x 2160 @60Hz	
Expansions	1 x Full-size PCIe Mini slot with SIM card holder(with USB signal)		
Watch Dog	1~255 levels programmable		
OS Support	Microsoft Windows	Windows 10IoT	
	Linux	Ubuntu, CentOS, Debian	
Power	Voltage Input	DC12~24V ±10%, overcurrent, overvoltage and polarity inverse protection	
	Power Consumption	Max.120W	
Chassis	Structure	Aluminum-magnesium alloy BOX with fan embedded to assist cooling, Wall-mounted or DIN -Rail fixing style.	
	Dimensions	(L)200mm x (W)154.5mm x (H)74.6mm	
	Net Weight	2.4Kg	
Environment	Work Temperature	-20 °C ~ 60 °C (-4°F~140°F) with air flow (SSD)	
	Storage Temperature	-40 °C ~ 80 °C (-40°F ~ 176°F) with air flow (SSD)	
	Relative Humidity	5~95% (Non -condensing)	
	Operating Vibration	5~500Hz, 1.5Grms@with SSD, Follow IEC60068-2-64	
	Operating Shock	20G peak acceleration(11ms duration) with SSD, Follow IEC600682-27	
EMC		CE/FCC Class A	

## ■ Dimensions (Unit: mm)



## ■ Interfaces



## ■ Ordering Information

Part No.	Product	Description
6070200041	NP-6122-JH3	CPU: NULL, RAM: NULL, mSATA: NULL, M.2 SATA: NULL, 4 x RS232/485(Selectable), 2 x LAN, 4 x USB3.0, 4 x USB2.0, DVI -D/HDMI display port, 8 x DI, 8 x DO, DC12~24V Power input
6070200090	NP-6122-JH3-Audio	CPU: NULL, RAM: NULL, mSATA: NULL, M.2 SATA: NULL, 4 x RS232/485(Selectable), 2 x LAN, 4 x USB3.0, 4 x USB2.0, DVI -D/HDMI display port, 8 x DI, 8 x DO, 1 x Lineout, DC12~24V Power input

## ■ Options

Parts	Description	
CPU	Intel® Pentium	G3900,G4400
	Intel® Core™ Skylake	I3-6100,I3-6100T,I5-6400,I5-6400T,I5-6500,I5-6500T, I7-6700,I7-6700T
	Intel® Core™ Kaby Lake	I3-7100,I5-7400,I5-7500,I7-7700,I7-7700T
	Intel® Core™ Coffee Lake	I3-8100,I5-8400,I5-8500,I7-8700
DDR4 Memory	DDR4-2400MHz, 4GB, 8GB, 16GB	
mSATA SSD	64GB, 128GB, 256GB, 512GB, 1TB	
M.2 SATA SSD	128GB, 256GB, 512GB, 1TB, 2TB	
Wifi Set	miniPCIE WIFI Set (7260 series), Cylindrical antenna	
3G/4G Module	mini PCIE, EC20, EG25, EC25	
Mount Option	DIN-Rail	

Note: If some optional parts are offered with the system, additional system certificates may be required in certain regions/countries. Please contact CCEST for certificate compliance.