

# NP -6125 -CAN2

- Desktop High Performance CPU
- 2 x CAN Bus 2.0 A/B

## ■ Features

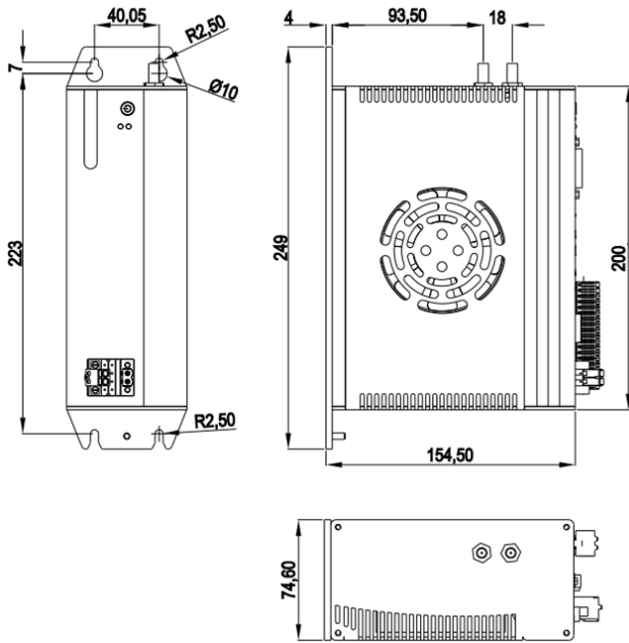
- Support Intel® Core™ 6th/7th/8th generation i7/i5/i3/Pentium/Celeron high performance processors, Max. TDP 65W
- 2 x Intel GbE LAN controller
- 4 x USB3.0, USB2.0 Type A on board for dongle
- 2 x RS232/RS485, RS485 support auto flow control
- 2 x CAN Bus 2.0A/B
- Support both VGA and HDMI display port
- DC12~24V Power supply with overcurrent, overvoltage and polarity inverse protection
- Support wall-mounted or DIN-Rail fixing style
- Wide operating temperature -20 ~ 60°C supported



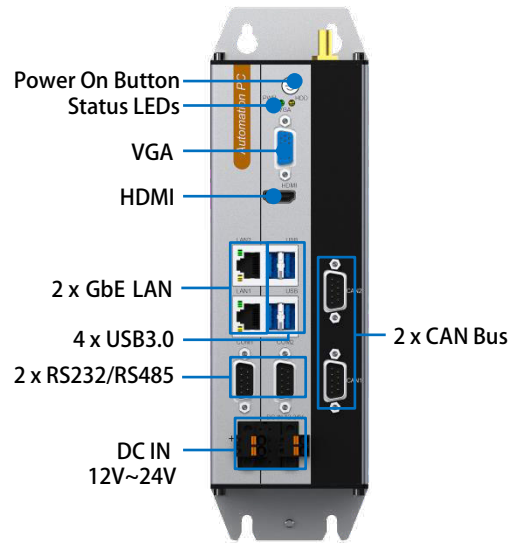
## ■ Specifications

| Model Name  |                           | NP -6125 -CAN2   |  |
|-------------|---------------------------|--|--|
| System      | CPU                       | Intel® Core™ 6th/7th/8th gen i7/i5/i3/Pentium/Celeron LGA1151 type CPU   |  |
|             | TDP                       | Max. 65W   |  |
|             | BIOS                      | AMI UEFI 64Mbit  |  |
|             | Memory                    | 2 x 260-pin SODIMM DDR4 , max up to 32GB   |  |
|             | Storage                   |  | 1 x mSATA bay                              |
|             |                           |  | 1 x M.2(B Key, Type 2280) bay support SATA |
|             | USB                       | 4 x USB3.0, 1 x USB2.0 Type A on the board for USB dongle  |  |
|             | COM                       | 2 x COM(DB -9), selectable to support RS232 or RS485 mode by the switch, RS485 support auto flow control, (ESD protection for RS232: Air gap ±8KV, Contact ±6KV) |  |
|             | Ethernet                  | 2 x Intel GbE LAN controller   |  |
|             | VGA                       | Support up to 1920 x 1080 @60Hz  |  |
|             | HDMI                      | Support up to 3840 x 2160 @60Hz  |  |
|             | CAN Bus                   | 2 x CAN Bus 2.0 A/B  |  |
| Watch Dog   | 1~255 levels programmable |  |  |
| OS Support  | Microsoft Windows         | Windows 10IoT  |  |
|             | Linux                     | Ubuntu, CentOS, Debian   |  |
| Power       | Voltage Input             | DC12~24V ±10%, overcurrent, overvoltage and polarity inverse protection  |  |
|             | Power Consumption         | Max. 120W  |  |
| Chassis     | Structure                 | Aluminum-magnesium alloy BOX with fan embedded to assist cooling, Wall-mounted or DIN-Rail fixing style.   |  |
|             | Dimensions                | (L)200mm x (W)154.5mm x (H)74.6mm  |  |
|             | Net Weight                | 2.0Kg  |  |
| Environment | Work Temperature          | -20 °C ~ 60 °C (-4°F~140°F) with air flow (SSD)  |  |
|             | Storage Temperature       | -40 °C ~ 80 °C (-40°F ~ 176°F) with air flow (SSD)   |  |
|             | Relative Humidity         | 5~95% (Non-condensing)   |  |
|             | Operating Vibration       | 5~500Hz, 1.5Grms@with SSD, Follow IEC60068-2-64  |  |
|             | Operating Shock           | 20G peak acceleration(11ms duration) with SSD, Follow IEC60068-2-27  |  |
|             | EMC                       | CE/FCC Class A   |  |

## ■ Dimensions (Unit: mm)



## ■ Interfaces



## ■ Ordering Information

| Part No.   | Product      | Description   |
|------------|--------------|---|
| 6070200169 | NP-6125-CAN2 | CPU:NULL, RAM:NULL, mSATA:NULL,, M.2 SATA:NULL, 2 x RS232/485(Selectable), 2 x LAN, 4 x USB3.0, 2 x CAN2.0A/B,VGA/HDMI display port, DC12~24V Power input |

## ■ Options

| Parts        | Description                    |  |
|--------------|--------------------------------|--|
| CPU          | Intel® Pentium                 | G3900,G4400  |
|              | Intel® Core™ Skylake           | I3-6100,I3-6100T,I5-6400,I5-6400T,I5-6500,I5-6500T, I7-6700,I7-6700T |
|              | Intel® Core™ Kaby Lake         | I3-7100,I5-7400,I5-7500,I7-7700,I7-7700T                             |
|              | Intel® Core™ Coffee Lake       | I3-8100,I5-8400,I5-8500,I7-8700                                      |
| DDR4 Memory  | DDR4-2400MHz , 4GB, 8GB, 16GB  |  |
| mSATA SSD    | 64GB, 128GB, 256GB, 512GB, 1TB |  |
| M.2 SATA SSD | 128GB, 256GB, 512GB, 1TB, 2TB  |  |
| Mount Option | DIN-Rail                       |  |

Note: If some optional parts are offered with the system, additional system certificates may be required in certain regions/countries. Please contact CCEST for certificate compliance.