



**TPC6000-D153-L v1.2**

---

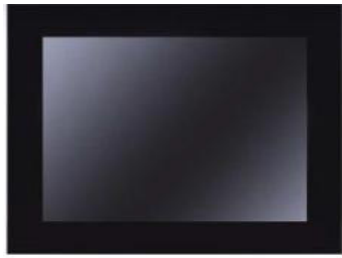
## **Industrial Panel PC**

15" XGA Fanless Industrial Panel PC

Support Intel® Celeron™ J1900/ J6412/ 4205U

Support Intel® Intel® Core™ i3-8145U / i5-7200U



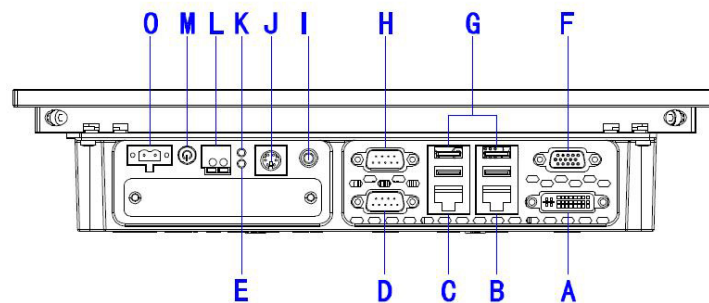
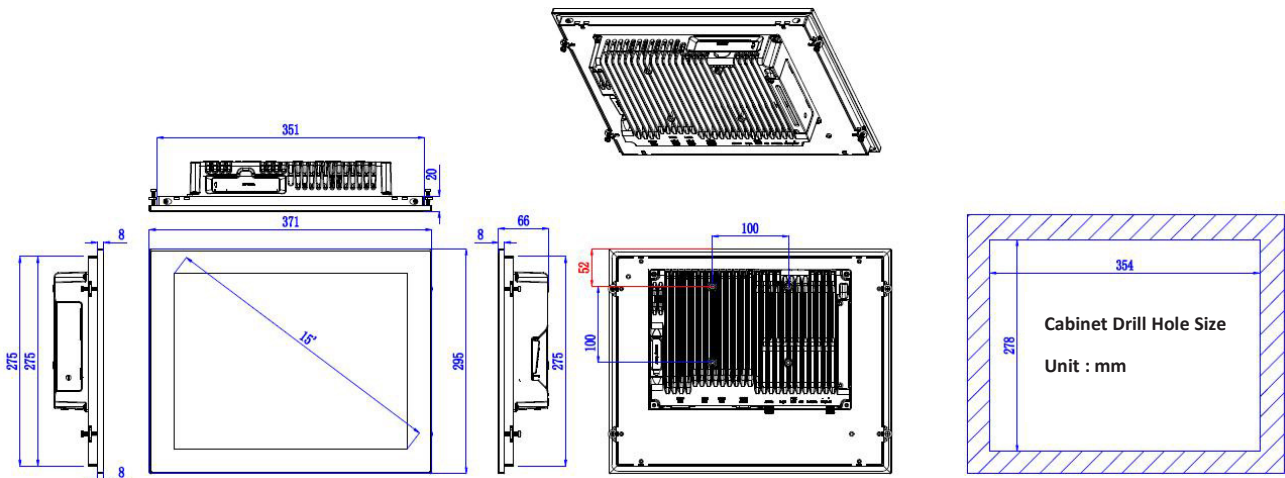


## Specifications :

Processor	CPU	J1900	J6412	4205U	i3-8145U	i5-7200U
	Base Frequency	Quad Core 2.0GHz		Dual Core 1.8GHz	Dual Core 2.1 GHz	Dual Core 2.5GHz
	L3 Cache	2MB	1.5MB	2MB	4MB	3MB
	Chipset	Integrated PCH-LP				
	Memory	1*DDR3L-1600 , max 8GB / 1*DDR4 2400MHz , max 16GB				
	Storage Medium	1 x 2.5" SATA bay + 1 x mSATA				
I/O	LAN	2 x Intel 1000Mbps RJ-45 Ethernet interface				
	Audio	Optional				
	USB	4 x USB3.0/2.0/1.1				
	COM	2 x RS-232 / RS-485 interface				
	Expansion slot	1 x Mini-PCIe slot, extensible 3G,WIFI wireless card , 1 x EasyBUS slot				
	Rear I/O	DVI-I / 2 x GLAN / 4 x USB / 2 x COM / 2 x PS2 / Line-out / Mic-in				
Physical	Dimensions (W x H x D)	371mm x 295mm x 66mm (14.61" x 11.61" x 3.07")				
	Drill Hole Size (W x H)	354mm x 278mm (13.94" x 10.94")				
	NW	4.54kg				
OS	OS	Windows 7, Windows 7 Embedded, Windows8, Windows10, Ubuntu, VXWORKS, QNX				
Power	Input voltage	12-24VDC ±10% , support reverse polarity protection, overvoltage protection, overcurrent protection				
	Maximum Power Dissipation	40W				
LCD	LCD Size	15" XGA TFT				
	Resolution	1024 x768				
	Colors	16.7MB				
	Active Area ( W×H )	304.13mm×228.10mm (11.97" x8.98")				
	Backlight	LED				
	MTBF	50000hrs				
	Pixel Pitch	0.099 x0.297				
	Luminance	350cd/㎡				
	Contrast Ratio	1000:1				
Touchscreen	Viewing Angle	( L ) 80/(R)80/ ( T ) 80/(B)80				
	Type	Resistive touch screen				
	Resolution	4096 x 4096				
	Transmittance	> 78%				
	Driver Support	Windows XP, Windows 7 , Windows 8, Windows 10 , Linux				
	Response Time	< 5ms				
Environmental	Surface Hardness	Mohs' Number 3H				
	Work Temperature	-20~60°C ( -4~140°F )				
	Storage Temperature	-30~80°C ( -22~176°F )				
	Relative humidity	5~95%(non-condensing )				
	Shake	SSD applied:1.5Grms,IEC 60068-2-64,random,5~500Hz,1 hr/axis				
	Shock	SSD applied: 10 G, IEC 60068-2-27, Half-sine wave, 11ms duration				
	EMC	CE/FCC Class B				
Water-proof	Front panel IP65					

**Dimensions:**

Unit: mm



A:DVI-D	B:LAN1	C:LAN2	D:COM1
E:Power LED	F: VGA	G:USB	H:COM2
I:Line OUT	J: PS2	K:HDD LED	I:SW
M:Power Switch	O: DC IN 12-24V		

**Ordering Information:**

Product Code	Description
TPC6000-D153-L-J1900	15"LCD/ Intel J1900 Quad Core 2.0GHz CPU/ No Memory / No Hard /2*RS-232/485(Optional) / 2*LAN /4*USB3.0/ 1024*768/DC12V-24V input / Two-year warranty
TPC6000-D153-L-WL4205U	15"LCD//Intel 4205U Dual Core 1.8 GHz CPU/ No Memory / No Hard /2*RS-232/485(Optional) / 2*LAN /4*USB3.0/ 1024*768/DC12V-24V input / Two-year warranty
TPC6000-D153-L- WL8145U	15"LCD/ Intel 8145U Dual Core 2.1 GHz CPU/ No Memory / No Hard /2*RS-232/485(Optional) / 2*LAN /4*USB3.0/ 1024*768/DC12V-24V input / Two-year warranty
TPC6000-D153-L-SL7200U	15"LCD/ Intel 7200U Dual Core 2.5GHz CPU/ No Memory / No Hard /2*RS-232/485(Optional) / 2*LAN /4*USB3.0/ 1024*768/DC12V-24V input / Two-year warranty
TPC6000-D153-L- J6412	15"LCD/ Intel J6412 Quad Core 2.0GHz CPU/ No Memory / No Hard /2*RS-232/485(Optional) / 2*LAN /4*USB3.0/ 1024*768/DC12V-24V input / Two-year warranty