

# TPC6000-A173-T

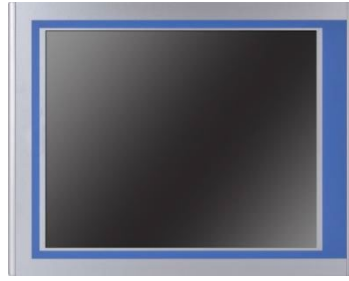
V1.1

Industrial Panel PC



17" SXGA Fanless Industrial Panel PC  
Intel® Atom™ E3845  
Intel® Celeron™ J1900/J6412/4205U  
Intel® Core™ i5-7200U/i3-8145U





## TPC6000-A173-T

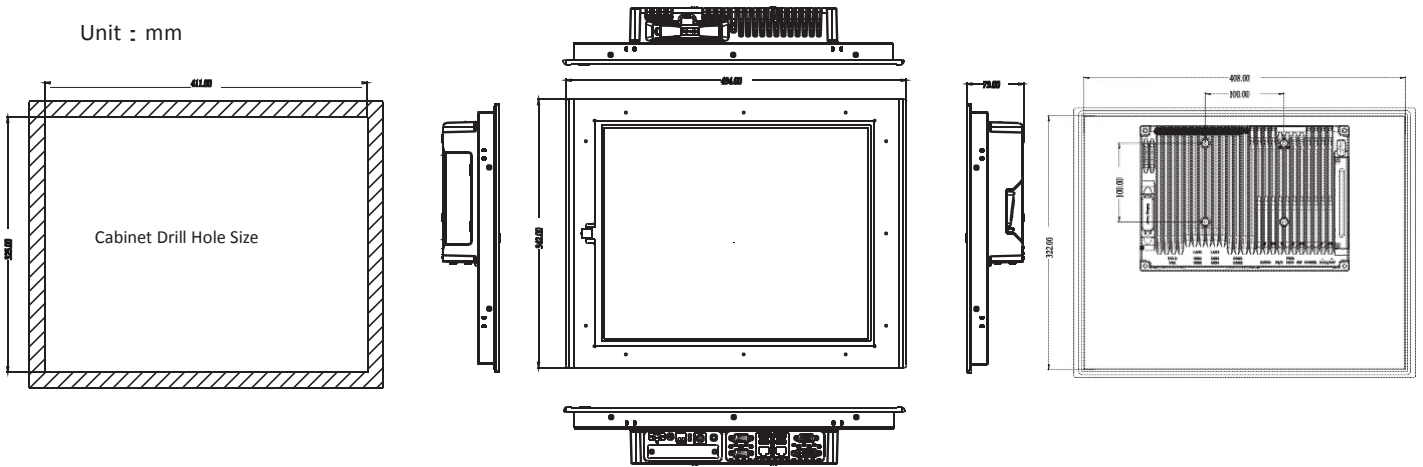


### Specifications:

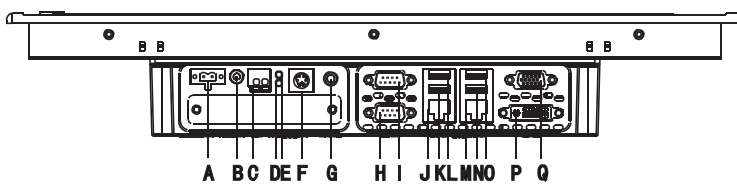
Processor	CPU	Intel®Atom®™ E3845	Intel®Celeron™ J1900/J6412 /4205U	Intel® Core™ i5-7200U/i3-8145
	Base Frequency	Four Core 1.91GHz	Four Core2.0GHz / Dual Core 1.8GHz	Dual Core 2.5/2.1GHz
	L3 Cache	2MB	2MB /1.5MB /2MB	3MB /4MB
	Chipset	Integrated PCH-LP		
	Memory	1*DDR3L-1600, max 8GB / 1*DDR4 2400MHz, max 16GB		
	Storage Medium	1 x 2.5" SATA bay + 1 x mSATA		
I/O	LAN	2 x Intel 1000Mbps RJ-45 with surge protection, lightning protection design and 15KV ESD protection		
	Audio	optional		
	USB	4 x USB3.0/2.0/1.1		
	COM	2 x RS-232 / RS-485 with surge protection, RS485 support automatic flow control		
	Expansion slot	1 x Mini-PCIe slot, extensible 3G, WIFI wireless card; 1 x EasyBUS slot		
	Rear I/O	DVI-I / 2 x GLAN / 4 x USB / 2 x COM / 2 x PS2 / Line-out / Mic-in		
Physical	Dimensions (W x H x D)	434mm x 342mm x 73mm (17.09" x 13.46" x 2.87")		
	Drill Hole Size (W x H)	411mm x 325mm (16.18" x 12.80")		
	NW	6.35kg (14.00lb)		
OS	OS	Windows 7, Windows 7 Embedded, Windows8, Windows10, Linux, VxWorks, QNX		
Power	Input voltage	12-24VDC ±10% , support reverse polarity protection, overvoltage protection, overcurrent protection		
	Maximum Power Dissipation	40.6Watt		
LCD	LCD Size	17" SXGA TFT		
	Resolution	1280 x 1024		
	Colors	16.7MB		
	Active Area (W x H)	338mm x 270mm (13.31" x 10.63")		
	Backlight	LED		
	MTBF	30000hrs		
	Pixel Pitch(H x V)	0.264 x 0.264		
	Luminance	250cd/m2		
	Contrast Ratio	1000 : 1		
Viewing Angle	(L) 85 / (R) 85 / (T) 80 / (B) 80			
Touchscreen	Type	Resistive touch screen		
	Resolution	4096 x 4096		
	Transmittance	> 75%		
	Controller interface	USB		
	Driver Support	Windows 7, Windows8, Windows10, Linux		
	Response Time	< 5ms		
	Surface Hardness	Mohs' Number 3H		
	Click life	250g / 35,000,000 times		
	Draw life	250g / 5,000,000 times		
Environmental	Work Temperature	-20 ~ 60°C (-4~140°F) (Wide temperature SSD) 0 ~ 45°C (32~113°F) (General temperature HDD/SSD)		
	Storage Temperature	-30 ~ 80°C (-22 ~ 176°F)		
	Relative humidity	5~95% (Non condensation)		
	Shake	SSD applied: 1.5 Grms, IEC 60068-2-64, random, 5 ~ 500 Hz, 1 hr/axis		
	Shock	SSD applied: 10 G, IEC 60068-2-27, Half-sine wave, 11ms duration		
	EMC	CE/FCC Class B		
	Water-proof	Front panel IP65		

Dimensions:

Unit : mm



I/O:



Interface Definition:

- A: DC IN (12/24V)
- B: Power Switch
- C: Remote Switch
- D: Power LED
- E: HDD LED
- F: PS/2
- G: Audio
- H: COM1
- I: COM2
- J: LAN2
- K: USB3
- L: USB4
- M: LAN1
- N: USB1
- O: USB2
- P: DVI
- Q: VGA

Ordering Information:

Product Code	Description
TPC6000-A173-T-J1900	17"LCD/Intel® Celeron J1900 2.0GHz Quad core Processors/No Memory/No Hard Disk/2*RS-232/485(Optional)/2 Gigabit Ethernet ports/4*USB3.0/Resistive Touch Screen/1280*1024/DC12V-24V input/Two-year warranty
TPC6000-A173-T-SL3855U	17"LCD/Intel® Celeron™ 3855U 1.6GHz dual-core Processors/No Memory/No Hard Disk/2*RS-232/485(Optional)/2 Gigabit Ethernet ports/4*USB3.0/Resistive Touch Screen/1280*1024/DC12V-24V input/Two-year warranty
TPC6000-A173-T-SL7200U	17"LCD/Intel® Core™ i5-7200U 2.5GHz dual-core Processors/No Memory/No Hard Disk/2*RS-232/485(Optional)/2 Gigabit Ethernet ports/4*USB3.0/Resistive Touch Screen/1280*1024/DC12V-24V input/Two-year warranty

Optional Equipment:

Option	Adapter 12V/60W 2 pin Phoenix terminal
Option	Chinese standard Power Line 1.8m
Standard	Touch Pen
Standard	4*Hooks
Standard	Manufacturer Certificate
Standard	Warranty Card
Standard	Random Listing