

eBOX-3230

Intel Bay Trail J1900 fanless industrial computer

Fanless Boxpc



Introduction

eBOX-3230 is a cost-effective Fanless Computer. It uses an Intel Baytrail Quad Core processor that provides excellent computing performance and low power consumption. It supports data storage for mSATA SSD or 2.5-inch hard disk. The design includes a rich communication interface, such as 2 gigabit Ethernet ports, 5 USB 2.0, 1 USB 3.0, 6 RS232, and so on. Power input is DC 12V.

Fully sealed box structure prevents dust from entering the chassis. A large aluminum fin heat sink inside the system effectively distributes heat quickly, ensuring the host's reliability and longer service life. eBOX-3230 is suitable for harsh environments and long-running industrial sites, widely used in finance equipment terminals, kiosks, subway fare collection, metal gates, car terminals, intelligent transportation, machine vision, medical equipment, and factory automation.

eBOX-3230 is compatible with Windows 7, Windows 8, Windows Embedded 7, Android, Linux, and major operating systems.

Features and Benefits



No cable design



Fastening Type storage installation design



Serial and power interface uses the phoenix terminal tightening



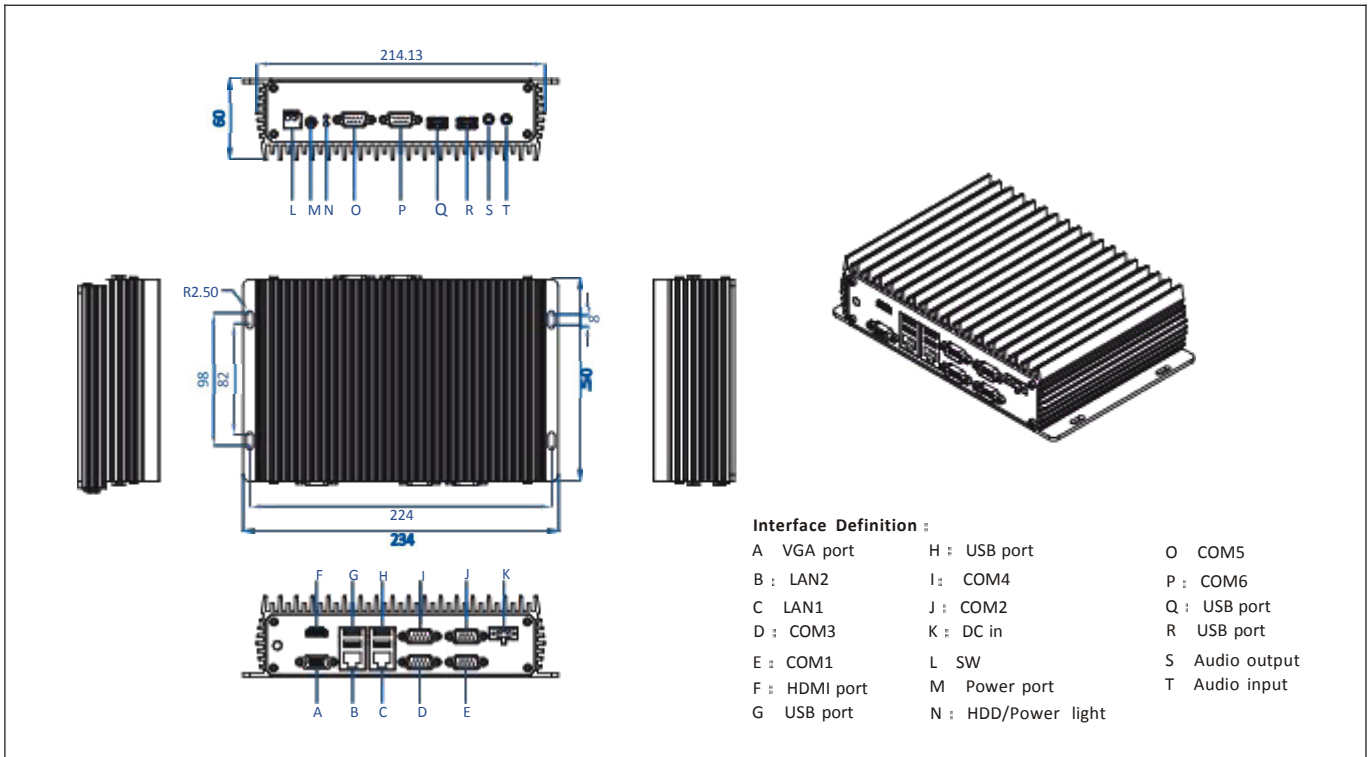
Support HDMI and VGA, for HD Video transmission



Support remote control switch

Specifications

System		Institutional	
Processor	: Onboard Intel BayTrail J1900/E3845 2.0GHz/1.91GHz single-chip quad-core processor	Box structure	: Aluminum box, good shock resistance and impact resistance
Chipset	: Intel Bay trail SOC (TDP10W)	Box surface	: Hard anodic oxidation treatment sandblasting, anti-scratch
Memory	: Support DDR3L-1333 MHz, 1* SO-DIMM Slot, Up to 8GB	Mounting	: Supports desktop, wall-mounted
Disk	: Support SATA 2.5" SSD HDD mSATA	Indication	: Power Switch/ Power LED/ HDD LED
Display	: Support f HDMI & VGA	Cooling System	: Finned aluminum heat sink
Ethernet port	: 2 Realtek Gigabit Ethernet ports	Power Input	: DC 12V input (Standard 60W adapter)
Wireless	: A Mini-PCIe slots, scalable 3G, Wifi wireless card	Dimensions	: 234 * 150 * 60mm
Audio	: Optional	Color	: Silver
USB	: 5 USB2.0 ports, 1USB 3.0 port	Weight	: 1.42kg
Serial port	: 6 RS232(COM1 optional Rs485)	Power Consumption	: 11W
Amplifier	: Built-in two-channel stereo Amplifier	Environmental	
Watchdog	: Programmable from 1 to 255 seconds	Working tem.	: -20 60 No mechanical hard drive)
I/O	: VGA/HDMI/2GLAN/6USB/6RS232/Audio	Storage tem.	: -30 80°C
System	: Support Win7, Win8, WES7, Android, Linux	Relative humidity	: 10~95% No condensation)
		Vibration	: 50 500Hz, 1.5G, 0.19mm Peak to peak Shock : 10G/peak(11ms secretary)



Ordering Information

eBOX- 3230 J1900/E3845 CPU/2GLAN/6 USB/6 RS232/VGA/HDMI/Audio