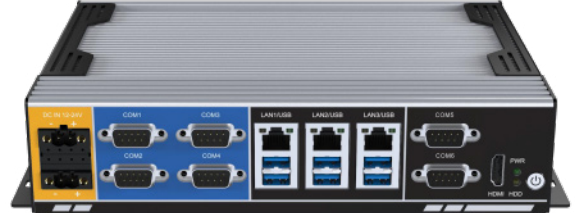


eBOX-3250

- Fanless Industrial BOX PC
- Low power consumption and high performance

■ Feature

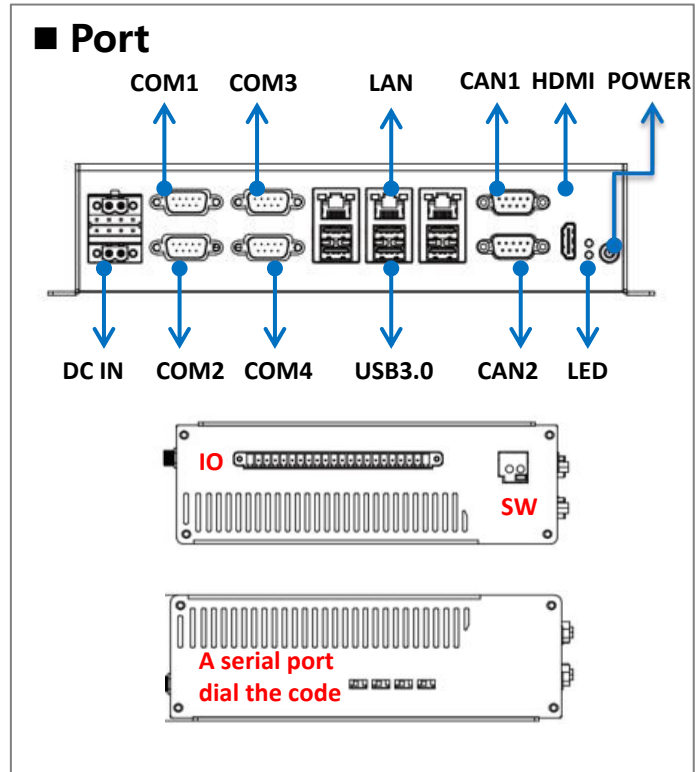
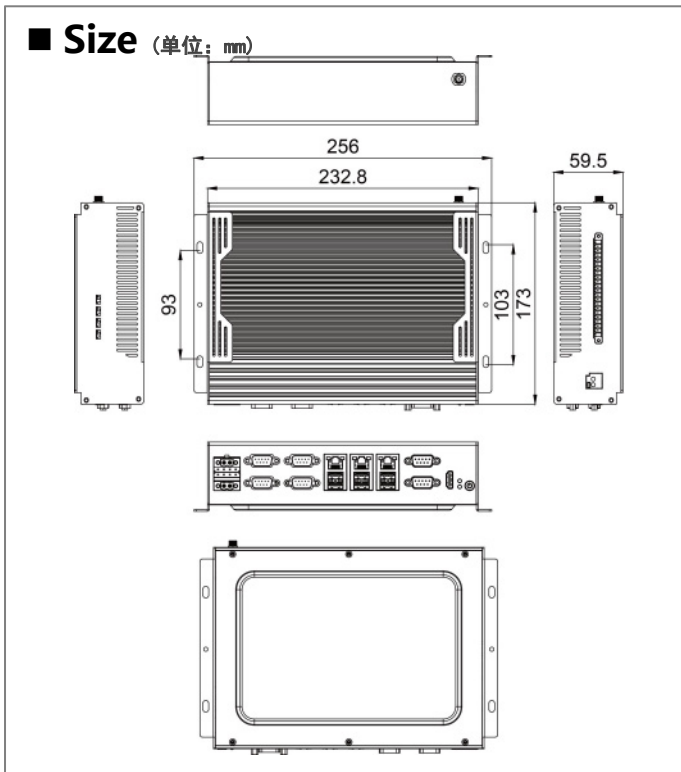
- Intel® Intel i3-6100T/i5-6400T/i5-8500T/i7-6700T/8700T (MAX CPU TDP 35W)
- 3 x Intel GbE LAN
- 4 x USB3.0, 2 x USB2.0, 4 x RS232/RS485
- 2 CAN buses, optional expansion of 2 RS232 or 485
- 1 x mSATA, 1 x M.2 NVME SSD (Specifications 2280)
- 8 x DI photoelectric isolation wet contact, isolation class 2500Vrms
- 8 x DO, OC gate output, isolation class 2000Vrms
- DC12-24V Power supply with overcurrent, overvoltage and polarity inverse protection
- Wide operating temperature -20 ~ 60°C supported



■ Specifications



Model Name		eBOX-3250
Processor	CPU	Intel® Intel i3-6100T/i5-6400T/i5-8500T/i7-6700T/8700T (MAX CPU TDP 35W)
Memory	DIMM	2*DDR4L-2400MHz, MAX 32GB
Storage	SSD	1 x mSATA, 1 x M.2 NVME SSD (Specifications 2280)
I/O	USB	4x USB3.0, 2 x USB2.0
	COM	4 x COM1-4, selectable to support RS232 or RS485 mode by the switch, RS485 support auto flow control 2 CAN buses, optional expansion of 2 RS232 or 485 (COM5-6)
Ethernet	LAN	3 x 10/100/1000Mbps Ethernet
Display	HDMI	4096 x 2160@30Hz
Other	Watch Dog	0~255 level programmable
Power	Voltage Input	DC12-24V ±10%, overcurrent, overvoltage and polarity inverse protection
	Power Consumption	Typical:35W
Chassis	Structure	Aluminum-magnesium alloy box, Fanless, Wall-mounted
	Dimensions	(L)256mm x (W)173mm x (H)59.5mm
	Net Weight	2Kg
Reliability	Work Temperature	-20°C ~ 60°C (-4°F~140°F) with air flow (mSATA), 5~95% (Non-condensing)
	Storage Temperature	-40°C ~ 80°C (-40°F ~ 176°F) with air flow (msATA), 5~95% (Non-condensing)
	Operating Vibration	5~500Hz, 1.5Grms@with SSD, Follow IEC60068-2-64
	Operating Shock	10G peak acceleration(11ms duration) with SSD, Follow IEC60068-2-27
	EMC	CE/FCC Class B
OS	Microsoft Windows	Windows 7, Windows 10
	Linux	Ubuntu



■ Ordering Information

P/N	Model Name	Specifications
6033100001	eBOX-3250	Net products: H110 chipset /4*(RS232/485)/3LAN/4USB3.0/2USB2.0/DC12-24V input

■ Options

Accessories	Specifications
DDR4 memory	4GB, 8GB, 16GB
mSATA	128G, 256G, 512G... ..
M.2 SSD	512GB, 1TB... ..
Serial card	mini PCIE: SGW-ME352A_V16

注意：如果系统提供了一些可选部件，在某些地区/国家可能需要额外的系统兼容性认证，请联系 CCEST 以了解系统兼容性。